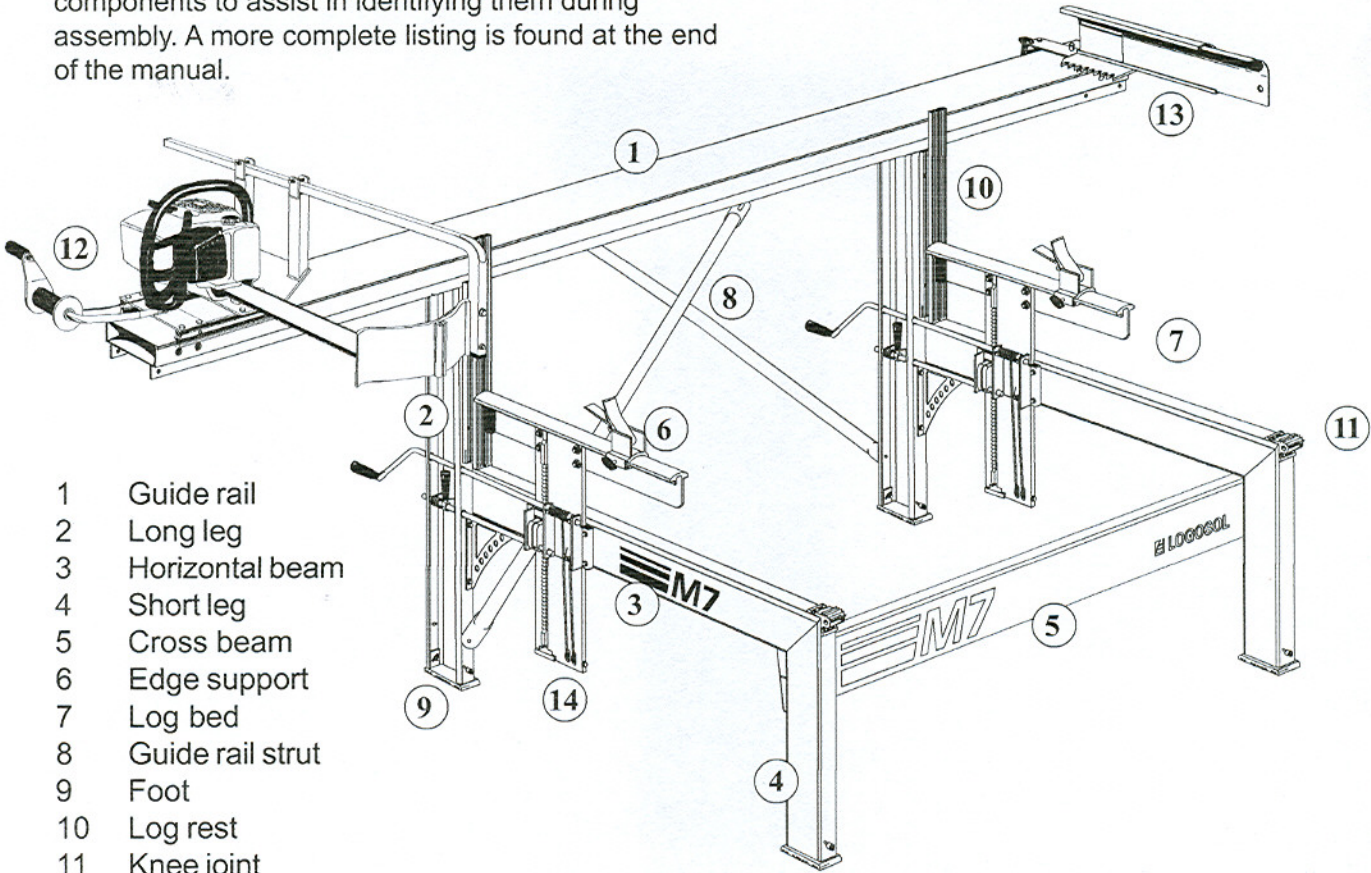


M7 WoodWorkers Mill components

What follows is a brief description of the M7 components to assist in identifying them during assembly. A more complete listing is found at the end of the manual.



- 1 Guide rail
- 2 Long leg
- 3 Horizontal beam
- 4 Short leg
- 5 Cross beam
- 6 Edge support
- 7 Log bed
- 8 Guide rail strut
- 9 Foot
- 10 Log rest
- 11 Knee joint
- 12 Carriage
- 13 Log grip
- 14 Lifting beam
- 15 Ratchet bar
- 16 Ratchet bar stop plate
- 17 Saddle plate
- 18 Ratchet Cam
- Cam Axle
- 19 Ratchet handle
- Ratchet neutral plate
- Turning spring
- 20 Crank
- Lockring
- Lockring with line attachment
- 21 Plastic slide rail on log bed
- Indicator
- 22 Angle fitting
- 23 Line pulleys

